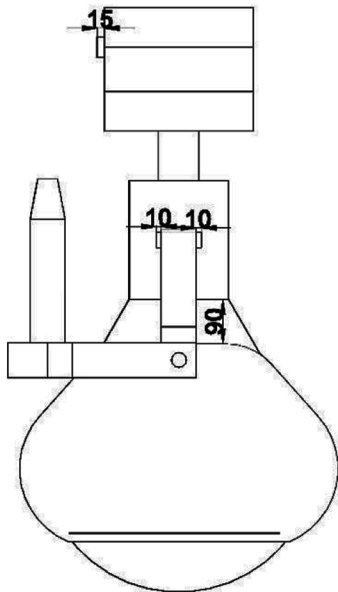
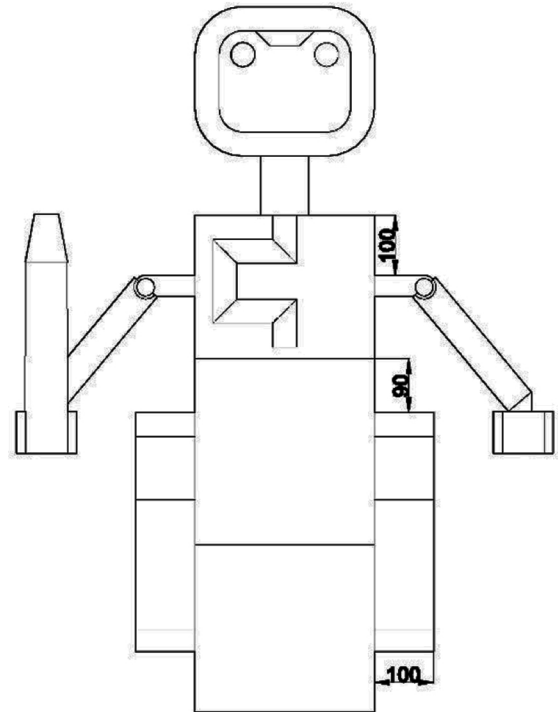


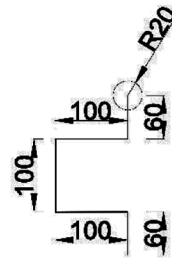
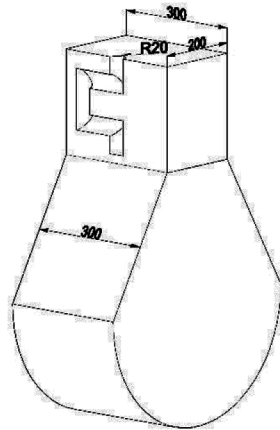
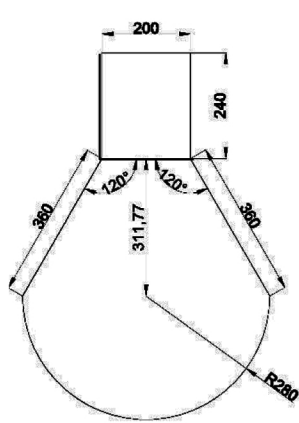
TOP VIEW



RIGHT VIEW

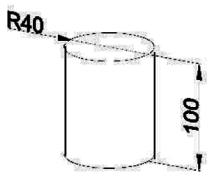


FRONT VIEW

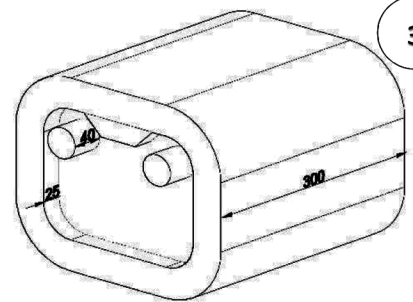
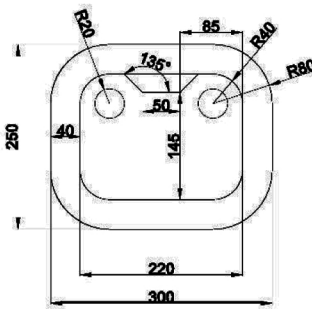


1

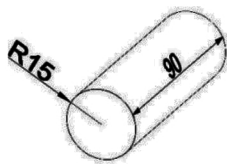
Create the energy pipe with the sweep command. And after locating it, subtract it from the part you have drawn



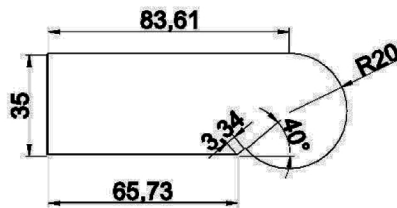
2



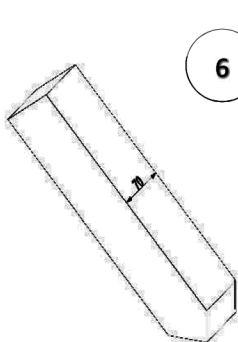
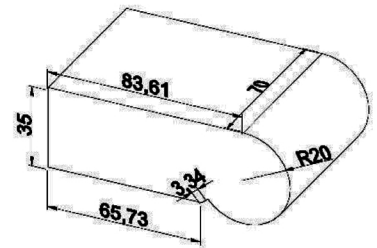
3



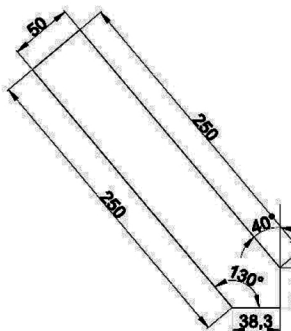
4



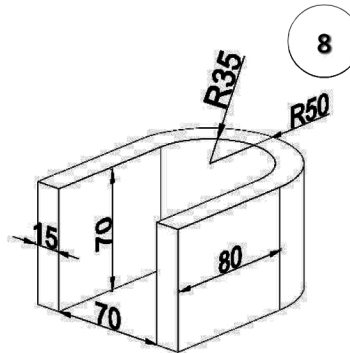
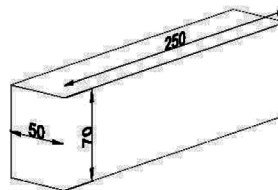
5



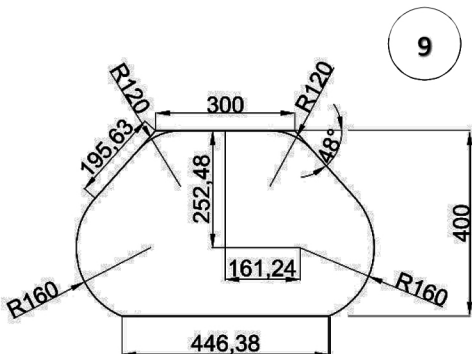
6



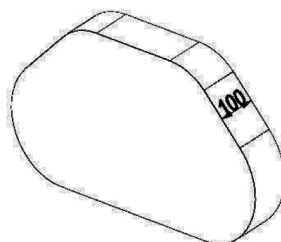
7



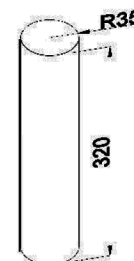
8



9



10



11

The pyramid: Base radius is 35, top Radius is 20 and the height is 80